



ENGINE 1 TURBOSHAFT TURBOMECA ARIIUS 2F

Takeoff power: 376 kW

Fast cruise speed: 120 kts

Maximum range (with no reserves): 383 NM

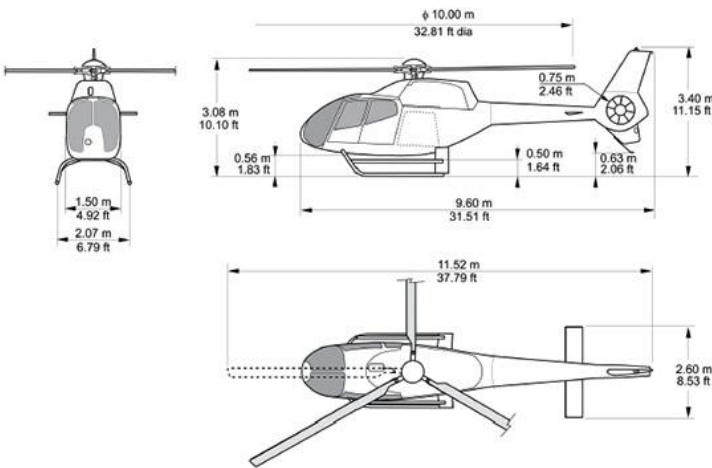
Maximum endurance (with no reserves): 4h 19min

EXTERNAL DIMENSIONS

Overall length with blade in front: 37.79 ft (11.52 m)

Overall width with 2 blades removed: 8.53 ft (2.60m)

Height: 10.10 ft (3.08 m)



AIRBUS (EUROCOPTER) EC 120B

our vision ... our mission ... your future

CAPACITY, WEIGHT

Max seating capacity: 1 + 4 or 2 + 3

Maximum Take Off Weight: 3,781 lb (1,715 kg)

Maximum Take Off Weight (with external load): 3,968 lb (1,800 kg)

Flight Rule: VFR Day

Fuel Consumption: 97kg/h (213 lb/h)

Fuel capacity: 707 lb (321 kg / 406 litres)

Fuel type: Jet A1

Useful load: 1,598 lb (725 kg)

Empty weight of standard aircraft: 2,185 lb (991 kg)

PERFORMANCE DATA

Never exceed speed: 150 kts

Rate of climb: 1,150 ft/min (6.0 m/s)

Service ceiling: 17,000 ft (5,182 m)

Hover ceiling OGE at takeoff power: 7,600 ft (2,316m)

CABIN INTERIOR

Height: 4.1 ft (1.25 m)

Width: 4.4 ft (1.35 m)

Length: 7.54 ft (2.30m)

Baggage allowance: 28.2 cu ft

AVIONICS: Vehicle and Engine Multifunction Display (VEMD) with First Limit Indicator (FLI) fitted as standard